

# ROOTS

TRIBÙ STUDIO



## DESCRIPTION

Roots is a signature piece with a primal look, made of one massive piece of teak. Cracks and even holes in the wood bring about its charm, making every piece unique. Use one piece as a small side table or combine several, in a horizontal and vertical way, to create a strong design statement.

## MATERIALS

Solid plantation teak from East-Java. As teak is a natural product, each piece will have its own signature. Natural cracks are part of the charm.

## COLOUR

T-Teak

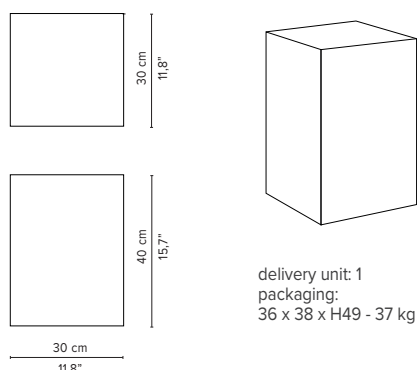


# ROOTS

## TECHNICAL DRAWINGS

---

### D8102 Roots



### PROTECTION COVERS

For each item a cover is available that protects the furniture against dirt. These covers in grey colour are made of PU coated polyester which is water-repellent and UV-resistant. Thanks to their excellent breathable qualities the covers reduce condensation and heat build-up, helping to prevent the formation of mold and mildew. Nevertheless, they are not 100% waterproof. Always make sure that furniture, cushions and covers are completely dry before covering furniture.

### MAINTENANCE

#### Teak

Treat new teak with Teak Protector 4 à 6 weeks after installation. Teak Protector applies an invisible film that prevents stains and green deposit. Soiled teak can be cleaned with Teak Super Cleaner. Leave the furniture to dry completely and then apply Teak Protector. To avoid labour-intensive cleaning, you can treat the wood with Teak Sealer. A simple cleaning with water and a ph-neutral soap will do for many years. Teak Sealer contains UV protection to slow down the graying from the sun as well as a fungicide to prevent the growth of mold and mildew.



D9914  
Teak Super  
Cleaner



D9912  
Teak Protector



D9959  
Teak Sealer

---

\* Appearances, measurements and weights may slightly differ from reality.