

TRIBÙ

MONSIEUR TRICOT

ILIA ECKARDT



Monsieur Tricot is a collection of knitted and hand crocheted lighting elements that will turn your outdoor space and garden into a magical place. The hanging and floor lamps, designed by Belgian designer Ilia Eckhardt, combine traditional techniques with high-performing materials and modern technology. Ilia Eckhardt grew up immersed in the Belgian fashion scene alongside his mother Hilde Frunt, who knitted prototypes for Belgian fashion designers such as Raf Simons and Dries van Noten. Fascinated by their world, he began experimenting and created his own outdoor lighting collection which he composed as a family. Meet the handsome Monsieur Lebonnet, the graceful Madame Latoque and the chic Madame Cachet. The Monsieur Tricot outdoor lighting collection is CE certified, meaning the lights can be ordered in the 28 member states of the EU, the EFTA countries (Iceland, Norway and Liechtenstein), Switzerland, Macedonia, Serbia and Montenegro. For further technical information, please check the collection sheet and user manual.



STANDING LAMPS



HANGING LAMPS

FABRICS & MATERIALS

MATERIALS

Sphere: PMMA Thermoplastic.

Removable knit: Weather resistant polypropylene, knitted or hand crocheted.

Base/top: Aluminium & epoxy ground coat underneath the powdercoat. The screws are in stainless steel 316.

TRICOT WEAVE

10-Linen

30-Moss



60-Brick

89-Wengé



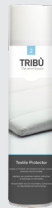
HOW TO MAINTAIN YOUR FURNITURE

MAINTENANCE

Tricot Weave® The knitted cover can easily be removed to be cleaned in a washing machine at 40° (synthetic washing program). Let dry in open air, certainly not in the dryer. Extend the Lebonnet braiding well before drying. Stubborn stains can be removed with Synthetics Super Cleaner. Use a microfiber cleaning cloth to clean the lamp. Do not use a scourer, this causes scratches and damages the surface.



SYNTHETICS SUPER CLEANER
D9922



TEXTILE PROTECTOR
D9924

TECHNICAL DRAWINGS

STANDING LAMPS

Light source	Dimmable LED included
Colour temperature	2.129K
Voltage	9-12.6V
Wattage	2,5W
Average lifetime	30.000 hrs
Cycles on/off	≥ 10.000
Starting time	Within 1 sec
Warm-up time to 60% of the full light output	Immediately full light output
Light source dimensions	178 x 85 mm
Luminous flux	190 Lumen
Luminous efficacy	80 Lumen/Watt
Lumen maintenance	95% 3600H
Colour rendering index	Ra. 80
Energy class	G
Battery	Rechargeable battery, up to 12hrs operational at 100%
Charging	Power adaptor with USB-slot, cable included, 5 hrs of charging time
Control	On/off switch + control via Bluetooth/ Tribù Monsieur Tricot app (App Store or Google Play)
Dimmable	Via Bluetooth connection
Extra	Ceiling hook included to turn your standing lamp into a hanging version
Certificates	CE (EU + UK), RoHS 2.0 (EU), FCC (USA), IC (Canada), RCM & SAA (Australia & New Zealand), MOC (Israel) IK08 IP65

TECHNICAL DRAWINGS

STANDING LAMPS WIRED

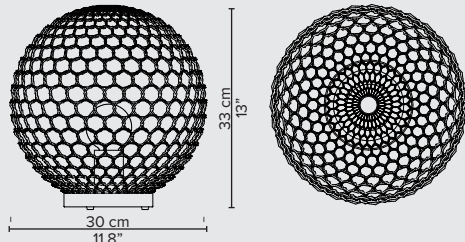
Light source	Dimmable LED included
Colour temperature	2.200K +/-200
Voltage	Power adapter input 100-240V AC / output 12V DC
Wattage	2,5W
Average lifetime	30.000 hrs
Cycles on/off	> 10.000
Starting time	Within 1 sec
Warm-up time to 60% of the full light output	Immediately full light output
Light source dimensions	178 x 85 mm
Luminous flux	80 Lumen/Watt
Luminous efficacy	80 Lumen/Watt
Lumen maintenance	95% 3600H
Colour rendering index	Ra. 80
Energy class	G
Battery	No
Bluetooth	No
Cable	3,8m Cable fixed to luminary, IP65 connector, 20cm cable, AC/DC Power adapter
Control	On/off button
Dimmable	button 1st press: 33% , 2nd press: 66%,3rd press: 100%, 4th press: OFF
Extra	No
Certificates	CE-EMC / CE-RED EN62778 IEC60598-2-4 RoHS 2.0 UKCA IP65 UL/FCC

TRIBÙ

TECHNICAL DRAWINGS

MONSIEUR LEBONNET Ø30CM

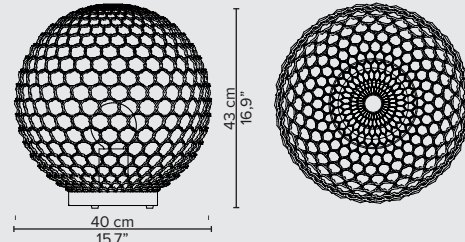
D080130S-XX



delivery unit: 1
packaging: 45x45xH49cm - 0,1m³ - 4,7 kg

MONSIEUR LEBONNET Ø40CM

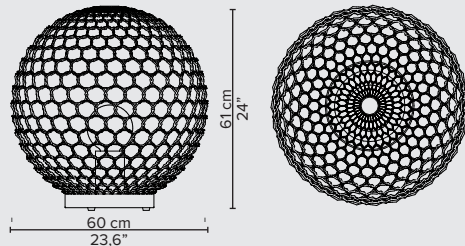
D080140S-XX



delivery unit: 1
packaging: 45x45xH49cm - 0,1m³ - 6,3 kg

MONSIEUR LEBONNET Ø60CM

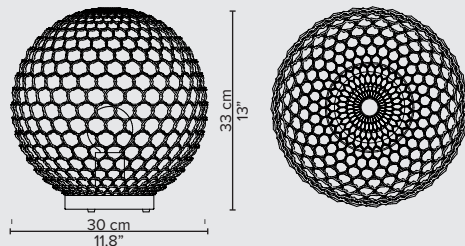
D080160S-XX



delivery unit: 1
packaging: 64x64xH69cm - 0,3m³ - 12 kg

MADAME LATOQUE Ø30CM

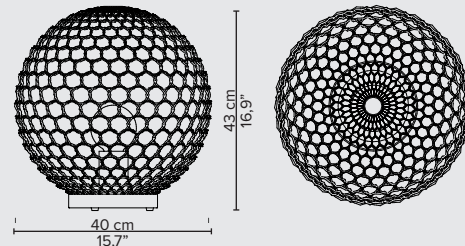
D080230S-XX



delivery unit: 1
packaging: 45x45xH49cm - 0,1m³ - 4,7 kg

MADAME LATOQUE Ø40CM

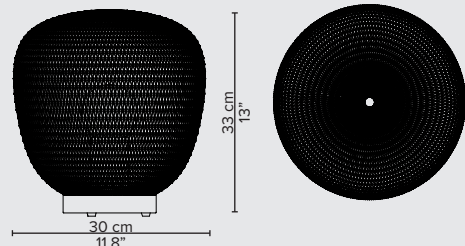
D080240S-XX



delivery unit: 1
packaging: 45x45xH49cm - 0,1m³ - 6,3 kg

MADAME CACHET Ø30CM

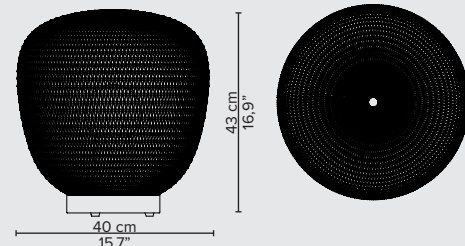
D080330S-XX



delivery unit: 1
packaging: 45x45xH49cm - 0,1m³ - 4,7 kg

MADAME CACHET Ø40CM

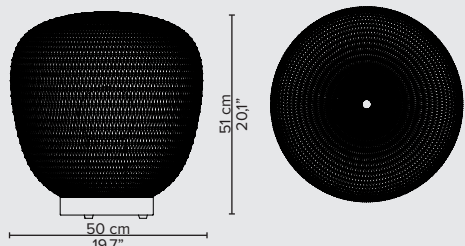
D080340S-XX



delivery unit: 1
packaging: 45x45xH49cm - 0,1m³ - 6,3 kg

MADAME CACHET Ø60CM

D080350S-XX



delivery unit: 1
packaging: 64x64xH69cm - 0,3m³ - 12 kg

TECHNICAL DRAWINGS

HANGING LAMPS

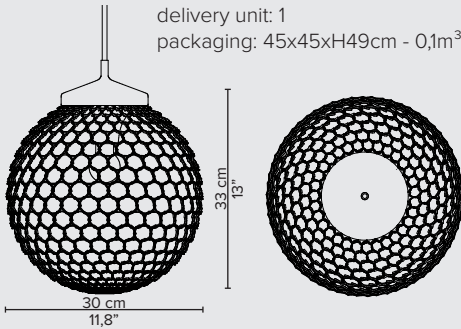
Light source	Dimmable LED filament bulb included
Colour temperature	2.200K
Socket	E27/E26
Voltage	220-240V
Wattage	2,5W
Average lifetime	30.000 hrs
Cycles on/off	10.000
Lumen flux	240 Lumen
Colour rendering index	Ra. 80
Energy class	F
Battery	No
Installing	5 meter cable, mounting bracket, ceiling canopy and wire connector clamps included
Control	Have a local professional install a switch. Switches cannot be purchased from Tribù
Dimmable	Yes
Certificates	CE (EU + UK), RoHS 2.0 (EU), FCC (USA), IC (Canada), SAA (Australia & New Zealand), MOC (Israel) IK08 IP55

TRIBÙ

TECHNICAL DRAWINGS

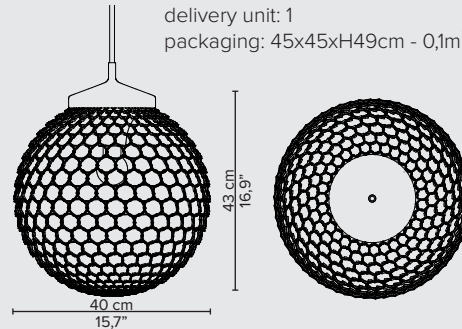
MONSIEUR LEBONNET Ø30CM **D080130H-XX**

delivery unit: 1
packaging: 45x45xH49cm - 0,1m³ - 4,7 kg



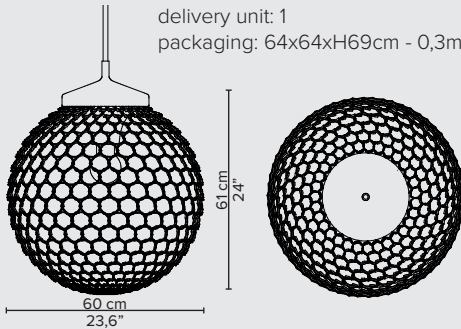
MONSIEUR LEBONNET Ø40CM **D080140H-XX**

delivery unit: 1
packaging: 45x45xH49cm - 0,1m³ - 6,3 kg



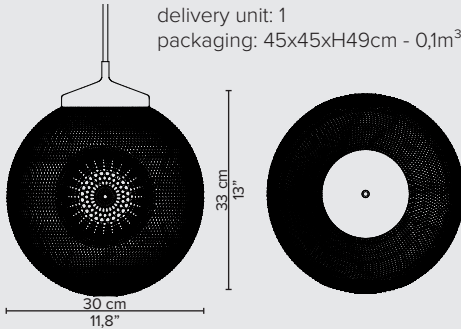
MONSIEUR LEBONNET Ø60CM **D080160H-XX**

delivery unit: 1
packaging: 64x64xH69cm - 0,3m³ - 12 kg



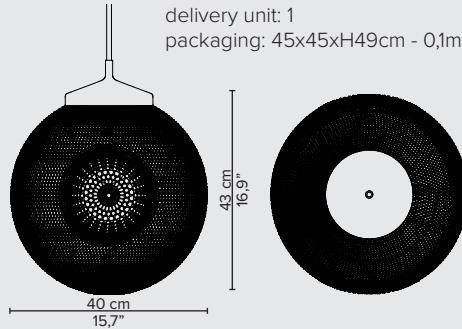
MADAME LATOQUE Ø30CM **D080230H-XX**

delivery unit: 1
packaging: 45x45xH49cm - 0,1m³ - 4,7 kg



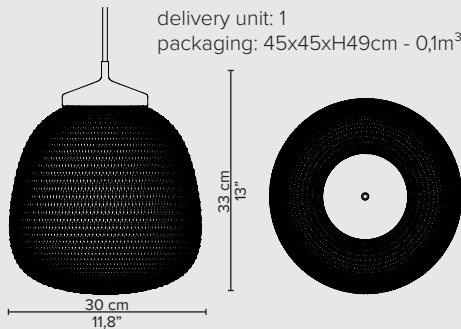
MADAME LATOQUE Ø40CM **D080240H-XX**

delivery unit: 1
packaging: 45x45xH49cm - 0,1m³ - 6,3 kg



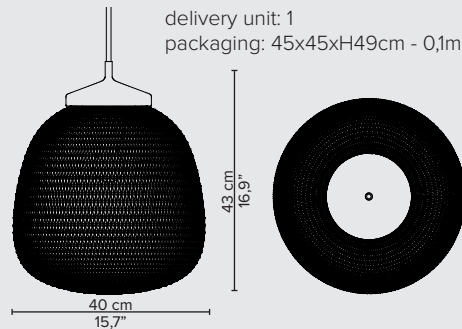
MADAME CACHET Ø30CM **D080330H-XX**

delivery unit: 1
packaging: 45x45xH49cm - 0,1m³ - 4,7 kg



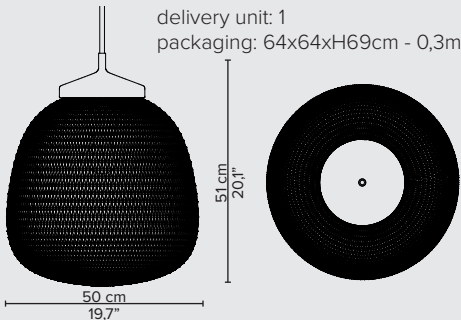
MADAME CACHET Ø40CM **D080340H-XX**

delivery unit: 1
packaging: 45x45xH49cm - 0,1m³ - 6,3 kg



MADAME CACHET Ø60CM **D080350H-XX**

delivery unit: 1
packaging: 64x64xH69cm - 0,3m³ - 12 kg



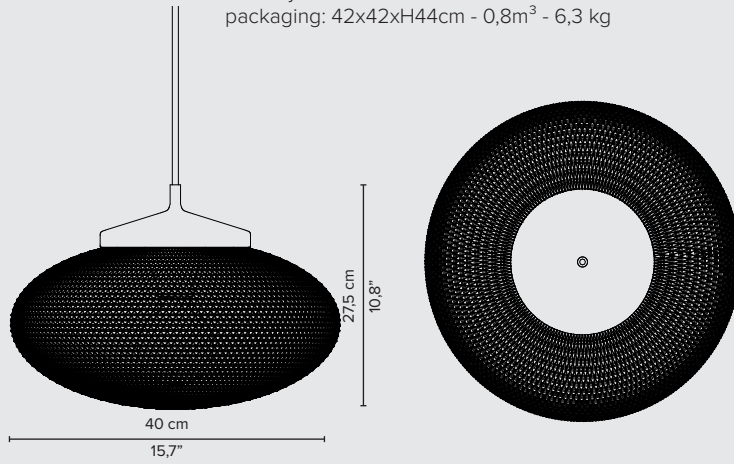
TRIBÙ

TECHNICAL DRAWINGS

MONSIEUR ELLIPSE Ø40CM

D080440H-XX

delivery unit: 1
packaging: 42x42xH44cm - 0,8m³ - 6,3 kg



TRIBÙ

BE INSPIRED

Explore our collection of featured content, including images, videos, and social media assets, all available on our website. To access a wider variety of content, you'll encounter an extensive range of 2D and 3D files to enhance your creative projects.

