

TRIBÙ

ILLUM

MERCKX & MAES



The ILLUM collection refers to the classical Scandinavian furniture archetypes, translated with updated materials for outdoors. Aluminium is used like sculpted wood throughout the collection, with smooth transitions from crisp to soft lines. Functionality is paramount for ILLUM, without compromising on comfort and class. The soft-curving back support provides an inviting view and seating comfort. The table with its slim legs in aluminium or teak is kept pure and simple. The lounge is provided with a knee bend section and can easily be put in any position by means of a patented pump system.



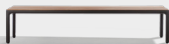
ARMCHAIR
06518-X



LOUNGE CHAIR
06512-XX



LOUNGER
06540-X



BENCH
06534-X



DINING TABLE
06573-X-X | 06550-X-X | 06552(XS)-X-X | 06554(XS)-X-X



COUNTER HEIGHT TABLE
06560-X-X
06564XS-X-X

FABRICS & MATERIALS

MATERIALS

Frame: Aluminium is a non-ferrous metal, which combines great mechanical rigidity with light weight. This makes it especially suitable for furniture. If treated correctly, it has a good resistance to corrosion. By powdercoating aluminium, this corrosion resistance can even be enhanced. After a chemical pre-treatment, an epoxy powder is applied statically and baked. Tribù always uses European, ultra-durable and scratch-resistant polyester powdercoatings that guarantee a UV-resistance of 15 years. For certain collections (Branch & Illum) parts of the frame are die-cast under high pressure which results in a seamless and extremely solid frame. Additionally, an extra epoxy primer coat is applied for these collections.

Seat & back: Batyline® is a polyester fibre which is coated with solution dyed PVC and then woven. The fibres are then melted together to create an extremely stretch and tear-resistant fabric that keeps its shape perfectly. Apart from its exceptional mechanical strength, it has a high chemical resistance. The synthetic coating guarantees an extremely high weather and UV-resistance. The fact that no moisture is absorbed, results in rapid drying, maximum stain and mould-resistance and simple cleaning. The most important feature is its pliancy and optimal seating comfort.

Table & bench Teak: Because Tribù makes no concessions when it comes to quality, we only use carefully selected, fully grown **teak**, which is harvested in accordance with the strictest environmental standards from the three highest quality Indonesian plantations in the East of Java. The local productions are checked all year round by subsidiary Tribù Asia, based in Semarang and led by a European management. Tribù designs its furniture in the way that the wood is used as efficiently as possible. Teak is classed as the most premium wood on the planet and therefore the most suitable species for outdoor furniture. Beyond its beauty, teak possesses some natural properties that other woods don't have. It is extremely durable, stable, water and weather resistant. This is due to the high levels of natural oils which result in minimal moisture absorption, giving it great stability. Moreover, the wood is extremely resistant to fungi, as well as against parasite attacks and insects. A tree is mature after 75 to 80 years. The trees are ringed, which means that the lower band of the bark is removed. The tree then loses most of its sap. About two years later it is felled and sawed up. Tribù selects each log based on its structure. Drying the wood is a very important phase and determines how it reacts later on. The time and speed of drying depends on the thickness of the material. Ideally the level of moisture lies between 8 and 12%.

Table top: Ceramic has been used for centuries for all kinds of purposes. With its unique characteristics it is the ideal material for outdoor table tops. Ceramic is UV-resistant, frost proof, extremely scratchproof and completely stain-repellent. The ceramic used by Tribù is coloured in the mass and guarantee years of carefree pleasure. The raw materials are selected very carefully by suppliers from Western and Southern Europe only. Every top is unique. For example, the Scisto colour may show subtle veins, but this is not the case for every top. The ceramic table tops are slightly bended so water can flow off.

FABRICS & MATERIALS

TABLE TOP

10-Linen

10-Linen

20-Clay*



*This colour is available for the armchair and lounge chair only.

89-Wengé

T-Teak**



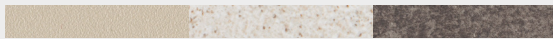
*This finish is available for dining table only.

TABLE TOP

10-Linen

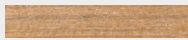
C15-Sabbia*

C89-Piombo



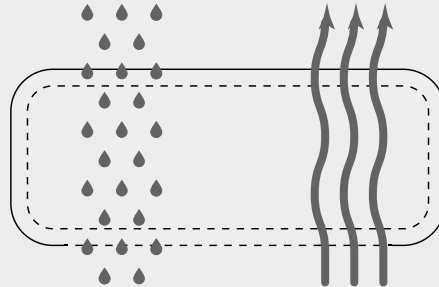
*This colour may possibly show veins.

T-Teak



CUSHIONS

water-permeable fillings (dryfoam) have an open cell structure so air can circulate freely. Water passes through the filling but dries quickly thanks to the large open pores, substantially inhibiting fungal growth.



HOW TO MAINTAIN YOUR FURNITURE

MAINTENANCE

Aluminium Powder coated aluminium is easy to clean with clear water and a pH-neutral fluid detergent. Stubborn stains can be removed with Aluminium Cleaner. If necessary, use a soft brush to remove the dirt from the pores. To protect the frame against the adhesion of dirt, Aluminium Protector can be used which applies an invisible protective film.



ALUMINIUM CLEANER
D9952



ALUMINIUM PROTECTOR
D9931

Treat new **teak** with teak protector 4 à 6 weeks after installation. Teak protector applies an invisible film that prevents stains and green deposit. Soiled teak can be cleaned with teak super cleaner. Leave the furniture to dry completely and then apply teak protector. To avoid labour-intensive cleaning, you can treat the wood with teak sealer. A simple cleaning with water and a ph-neutral soap will do for many years. Teak sealer contains UV protection to slow down the graying from the sun as well as a fungicide to prevent the growth of mold and mildew.



TEAK SUPER CLEANER
D9914

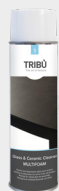


TEAK PROTECTOR
D9912



TEAK SEALER
D9959

Ceramic is very easy to maintain with clear water and a pH-neutral soap. Stubborn stains can be removed with Ceramic & Lava Stone Cleaner. To protect the ceramic, Ceramic & Lava Stone Protector (p. 187) can be used. This applies a highly water and soiling repellent coating, which also makes the surface brighter, smoother and easier to clean.



CERAMIC & LAVA STONE CLEANER
D9938



CERAMIC & LAVA STONE PROTECTOR
D9955

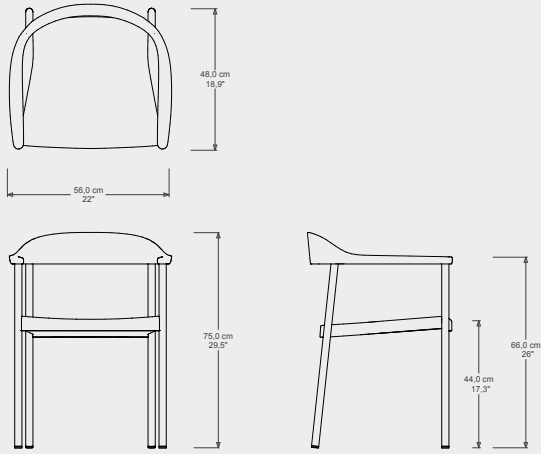
PROTECTION COVERS

For each item a cover is available that protects the furniture against dirt. These covers in grey colour are made of PU coated polyester which is water-repellent and UV-resistant. Thanks to their excellent breathable qualities the covers reduce condensation and heat build-up, helping to prevent the formation of mold and mildew. Nevertheless, they are not 100% waterproof. Always make sure that furniture, cushions and covers are completely dry before covering furniture.

TRIBÙ

TECHNICAL DRAWINGS

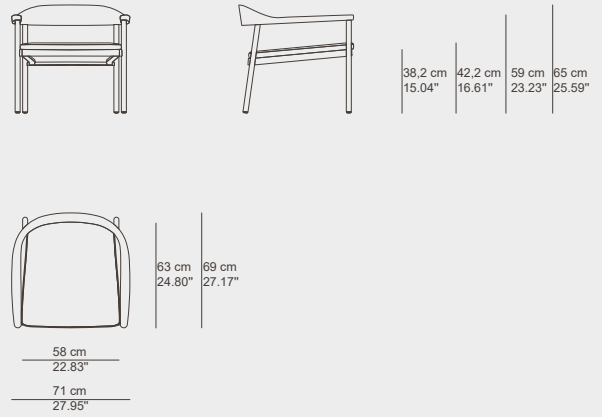
ARMCHAIR
06518-X



Seat cushion **C06518SW** or Seat & Back cushion **C06518W** are recommended for optimal seating

3 pcs

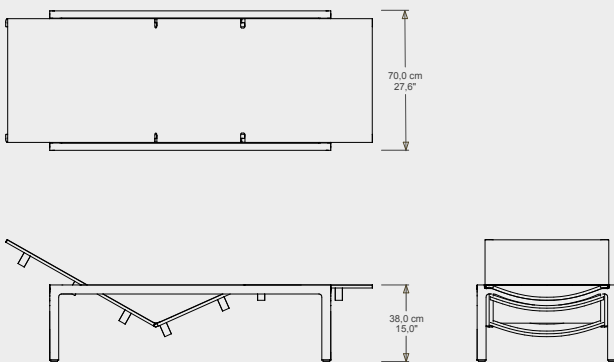
LOUNGE CHAIR
06512-XX



Back cushion **C06512BW** and seat cushion **C06512SW** are recommended for optimal seating

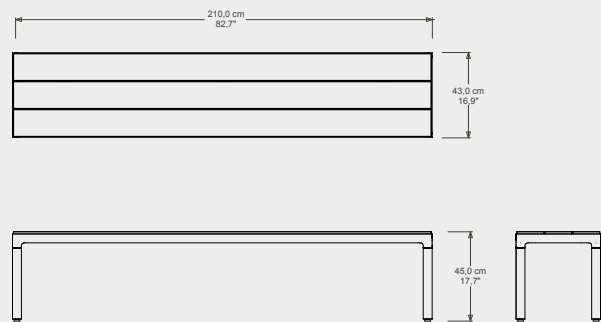
3 pcs

LOUNGER
06540-X



Cushion **C06540W** is recommended for optimal seating

BENCH
06534-X

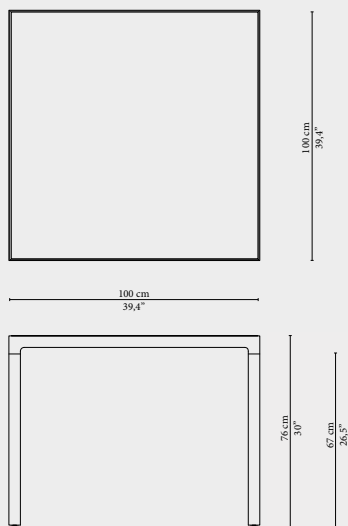


Cushions **C07434W** is recommended for optimal seating (4pcs)

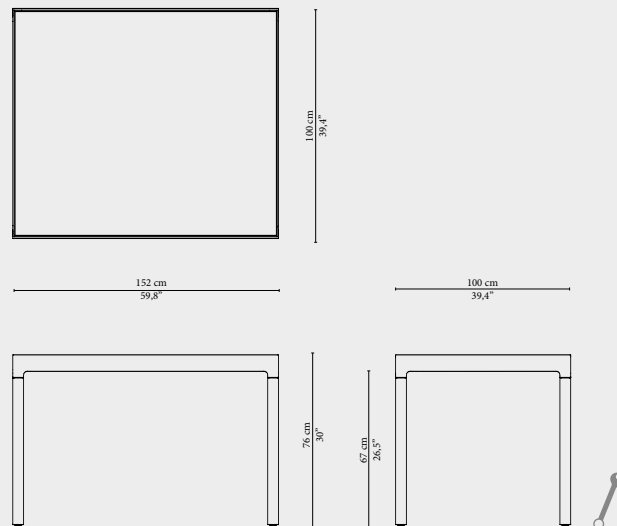


TECHNICAL DRAWINGS

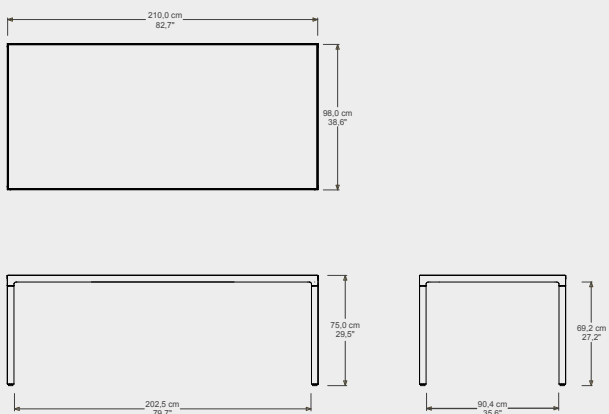
DINING TABLE - 100CM
06573-X-X



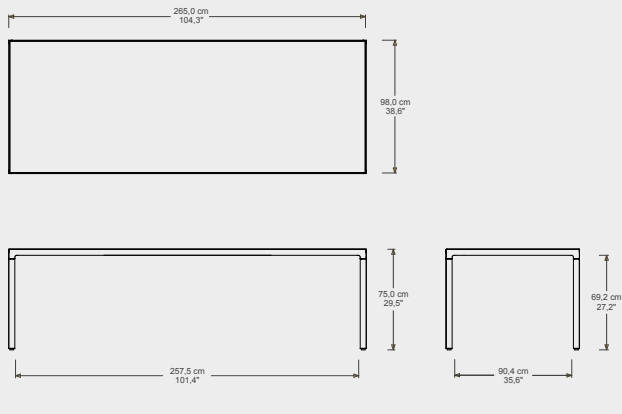
DINING TABLE - 152CM
06550-X-X



DINING TABLE - 212CM
06552-X-X

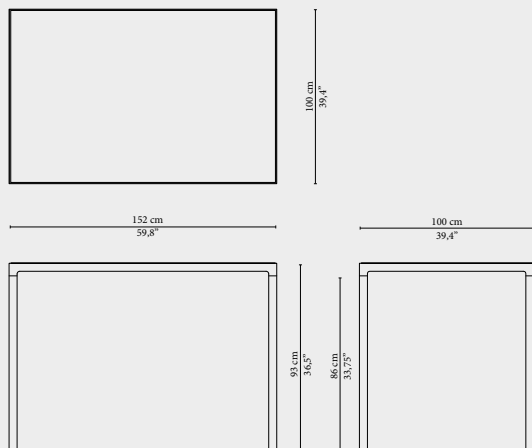


DINING TABLE - 267CM
06554-X-X

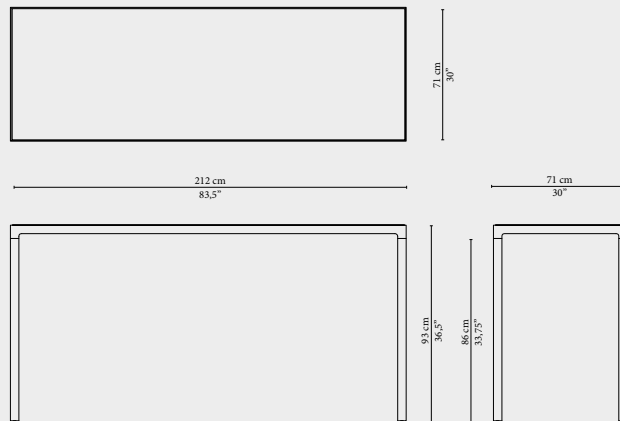


TECHNICAL DRAWINGS

COUNTER HEIGHT TABLE - 152CM
06560-X-X



COUNTER HEIGHT TABLE - 152CM/212CM
06564XS-X-X



TRIBÙ

BE INSPIRED

Explore our collection of featured content, including images, videos, and social media assets, all available on our website. To access a wider variety of content, you'll encounter an extensive range of 2D and 3D files to enhance your creative projects.



TRIBÙ

PACKING LIST

ARTICLE NR.	ARTICLE NAME	BOX CONTENT	NR. OF BOXES	BOX DIMENSIONS (LXDXH)	VOLUME (M3 FT3)	GROSS WEIGHT BOX (KG LB)
06518-XX	ARMCHAIR	2	1	60x60x87cm 23.5x23.5x34.25"	0.3 10.6	9.1 20.1
06512-XX	LOUNGE CHAIR					
06534-XX	BENCH		2			
A6534-XX	FRAME	1		218x47x17cm 85.75x18.5x6.75"	0.17 6.15	20.50 45.2
W6534	SEAT TEAK	1		216x45x4cm 85x17.75x1.5"	0.04 1.37	27.00 59.5
06540-XX	ADJUSTABLE LOUNGER	1	1	202x73x42cm 79.5x28.75x16.5"	0.6 21.2	31 68.4
06573-XX	DINING TABLE 100X100CM		2			
A6573-XX	FRAME ALU	1		106x106x16cm 41.75x41.75x6.25"	0.18 6.35	19.80 43.7
W6573	FRAME TEAK	1		103x103x13cm 40.5x40.5x5"	0.14 4.87	18.00 39.7
S2007G-XX S2007-CXX	TABLE TOP CERAMIC	1		106x106x5cm 41.75x41.75x2"	0.06 1.98	27.00 59.5
W5002	TABLE TOP TEAK	1		102x102x6cm 40.25x40.25x2.25"	0.06 2.20	15.90 35.1
06550-XX	DINING TABLE 152X100CM		2			
A6550-XX	FRAME ALU	1		157x105x16cm 61.75x41.25x6.25"	0.26 9.31	24.65 54.4
W6550	FRAME TEAK	1		195x105x13cm 76.75x41.25x5"	0.27 9.40	23.00 50.7
S2008G-XX S2008-CXX	TABLE TOP CERAMIC	1		160x109x8cm 63x43x3.25"	0.14 4.93	41.00 90.4
W5007	TABLE TOP TEAK	1		154x101x4cm 60.75x39.75x1.5"	0.06 2.20	21.55 47.5
06552-XX-X	DINING TABLE 212X100CM		2			
A6552-XX	FRAME ALU	1		217x105x17cm 85.5x41.25x6.75"	0.39 13.68	28.60 63.1
W6552	FRAME TEAK	1		216x105x13cm 85x41.25x5"	0.29 10.41	33.00 72.8
S2005G-XX S2005-CXX	TABLE TOP CERAMIC	1		219x107x8cm 86.25x42.25x3.25"	0.19 6.62	57.00 125.7
W5004	TABLE TOP TEAK	1		216x103x5cm 85x40.5x2"	0.11 3.93	34.00 75.0

PACKING LIST

ARTICLE NR.	ARTICLE NAME	BOX CONTENT	NR. OF BOXES	BOX DIMENSIONS (LXDXH)	VOLUME (M3 FT3)	GROSS WEIGHT BOX (KG LB)
06554-XX-X	DINING TABLE 267X100CM		2			
A6554-XX	FRAME ALU	1		272x105x17cm 107x41.25x6.75"	0.49 17.15	32.50 71.7
W6554	FRAME TEAK	1		272x105x13cm 107x41.25x5"	0.37 13.11	39.00 86.0
S2006G-XX S2006-CXX	TABLE TOP CERAMIC	1		275x108x8cm 108.25x42.5x3.25"	0.24 8.39	72.00 158.8
W5005	TABLE TOP TEAK	1		270x101x5cm 106.25x39.75x2"	0.14 4.82	34.00 75.0
06552XS-XX-X	SLIM DINING TABLE 212X71CM		2			
A6552XS-XX	FRAME ALU	1		219x77x16cm 86.25x30.25x6.25"	0.27 9.53	25.45 56.1
W6552XS	FRAME TEAK	1		216x76x13cm 85x30x5"	0.21 7.54	24.00 52.9
S2020G-XX S2020-CXX	TABLE TOP CERAMIC	1		219x80x8cm 86.25x31.5x3.25"	0.14 4.95	41.00 90.4
W5004S	TABLE TOP TEAK	1		216x75x5cm 85x29.5x2"	0.08 2.86	18.00 39.7
06554XS-XX-X	SLIM DINING TABLE 265X71CM		2			
A6554XS-XX	FRAME ALU	1		272x77x17cm 107x30.25x6.75"	0.36 12.57	29.95 66.0
S2021G-XX S2021-CXX	TABLE TOP CERAMIC	1		275x80x8cm 108.25x31.5x3.25"	0.18 6.22	51.00 112.5
W5006S	TABLE TOP TEAK	1		265x75x5cm 104.25x29.5x2"	0.10 3.51	25.00 55.1
06560-XX	COUNTER HEIGHT TABLE 152 X 100CM		3			
A6550-XX	FRAME ALU	1		157x105x16cm 61.75x41.25x6.25"	0.26 9.31	24.65 54.4
A6579-XX	TABLE LEGS	1		86x12x12cm 33.75x4.75x4.75"	0.01 0.44	5.80 12.8
S2008G S2008-CXX	TOP CERAMIC	1		160x109x8cm 63x43x3.25"	0.14 4.93	41.00 90.4
W5007	TOP TEAK			154x101x4cm 60.75x39.75x1.5"	0.06 2.20	21.55 47.5
06564XS-XX	COUNTER HEIGHT TABLE 212X71CM		3			
A6552XS-XX	FRAME	1		219x77x16cm 86.25x30.25x6.25"	0.27 9.53	25.45 56.1
A6579-XX	TABLE LEGS	1		86x12x12cm 33.75x4.75x4.75"	0.01 0.44	5.80 12.8
S2020G-XX S2020-CXX	TABLE TOP CERAMIC	1		219x80x8cm 86.25x31.5x3.25"	0.14 4.95	41.00 90.4
W5004S	TABLE TOP TEAK	1		216x75x5cm 85x29.5x2"	0.08 2.86	18.00 39.7